



APPLIANCES

INSPIRING THE WORLD'S KITCHEN



UNDER CABINET RANGE HOOD

COS-18U48

INSTALL & USER GUIDE

IMPORTANT SAFETY INSTRUCTIONS

Carefully read the following Important information regarding installation safety and maintenance. Keep these instruction for future reference.

COS-18U48

INSTALL & USER GUIDE

THANK YOU FOR YOUR PURCHASE

Thank you for your purchase. We know that you have many brands and products to choose from and we are honored to know that you have decided to take one of our products into your home and hope that you enjoy it.

COSMO appliances are designed according to the strictest safety and performance standard for the North American market. We follow the most advanced manufacturing philosophy. Each appliance leaves the factory after thorough quality inspection and testing. Our distributors and our service partners are ready to answer any questions you may have regarding how to install, use and care for your products. We hope that this manual will help you learn to use the product in the safest and most effective manner .

If you have any questions or concerns, please contact the dealer from whom you purchased it, or contact our Customer Support at:

1-888-784-3108.



TABLE OF CONTENTS

SAFETY INSTRUCTIONS	4
STAINLESS STEEL BAFFLE FILTERS	5
DIMENSIONS DIAGRAM	6
PARTS DIAGRAM	7
INSTALLATION REQUIREMENTS	8
PRE-INSTALLATION REQUIREMENTS	9
INSTALLATION INSTRUCTIONS	10-15
OPERATION INSTRUCTIONS	16
MAINTENANCE	17-18
TROUBLESHOOTING	19
WARRANTY & SERVICE	20-21



IMPORTANT SAFETY INSTRUCTIONS

Read all instructions before using this appliance. Save these instructions for future references.

Approved for residential appliances. For residential use only.

Due to the weight and size of these vent hoods and to reduce the risk of personal injury or damage to the product

TWO PEOPLE ARE REQUIRED FOR PROPER INSTALLATION

CAUTION

FOR GENERAL VENTILATING USE ONLY. DO NOT USE TO EXHAUST HAZARDOUS OR EXPLOSIVE MATERIALS OR VAPORS.

CAUTION

To reduce risk of fire and to properly exhaust air, do not vent exhaust air into spaces within walls, ceilings, attics, crawl spaces, or garages.

WARNING

TO REDUCE THE RISK OF FIRE, USE ONLY METAL DUCT WORK. Install this hood in accordance with all requirements specified

WARNING

TO REDUCE THE RISK OF FIRE, ELECTRIC SHOCK, OR INJURY TO PERSONS, OBSERVE THE FOLLOWING:

1. Use this unit only in the manner intended by the manufacturer. If you have questions, contact the manufacturer.
2. Before servicing or cleaning the unit, switch power off at service panel and lock service panel disconnecting means to prevent power from being switched on accidentally. When the service disconnecting means cannot be locked, securely fasten a prominent warning device, such as a tag, to the service panel.
3. Installation Work and Electrical Wiring Must Be Done By Qualified Person(s) In Accordance With all Applicable Codes & Standards, Including Fire-rated Construction.
4. Sufficient air is needed for proper combustion and exhausting of gases through the flue (Chimney) of fuel burning equipment to prevent back-drafting. Follow the heating equipment manufacturers guideline and safety standards such as those published by the National Fire Protection Association (NFPA), the American Society for Heating, Refrigeration and Air Conditioning Engineers (ASHRAE), and the local code authorities.
5. When cutting or drilling into wall or ceiling, do not damage electrical wiring and other hidden utilities.
6. Ducted systems must always be vented to the outdoors.

WARNING

To Reduce The Risk Of Fire Or Electric Shock, Do Not Use This Hood With Any External Solid State Speed Control Device.

WARNING

Unplug or disconnect the appliance from the power supply before servicing.

WARNING

GROUNDING INSTRUCTIONS

This appliance must be grounded. In the event of an electrical short circuit, grounding reduces the risk of electric shock by providing an escape wire for the electric current. This appliance is equipped with a cord having a grounding wire with a grounding plug. The plug must be plugged into an outlet that is properly installed and grounded.

WARNING - IMPROPER GROUNDING CAN RESULT IN A RISK OF ELECTRIC SHOCK.

Consult a qualified electrician if the grounding instructions are not completely understood, or if doubt exists as to whether the appliance is properly grounded.

Do not use an extension cord. If the power supply cord is too short, have a qualified electrician install an outlet near the appliance.

WARNING

TO REDUCE THE RISK OF INJURY TO PERSONS, IN THE EVENT OF A RANGE TOP GREASE FIRE, OBSERVE THE FOLLOWING:

- SMOOTHER FLAMES with a close-fitting lid, cookie sheet, or metal tray, then turn off the burner. BE CAREFUL TO PREVENT BURNS. If the flames do not go out immediately, EVACUATE AND CALL THE FIRE DEPARTMENT.
- NEVER PICK UP A FLAMING PAN – You may be burned.
- DO NOT USE WATER, including wet dishcloths or towels – a violent steam explosion will result.
- Use an extinguisher ONLY if:
 1. You know you have a Class ABC extinguisher, and you already know how to operate it.
 2. The fire is small and contained in the area where it started.
 3. The fire department is being called.
 4. You can fight the fire with your back to an exit

Always leave safety grills and filters in place. Without these components, operating blowers could catch onto hair, fingers and loose clothing.

The manufacturer declines all responsibility in the event of failure to observe the instructions given here for installation, maintenance and suitable use of the product. The manufacturer further declines all responsibility for injury due to negligence and the warranty of the unit automatically expires due to improper maintenance.

WARNING

WARNING – TO REDUCE THE RISK OF A RANGE TOP GREASE FIRE:

- A. Never leave surface units unattended at high settings. Boilovers cause smoking and greasy spillovers that may ignite. Heat oils slowly on low or medium settings.
- B. Always turn hood ON when cooking at high heat or when flaming food (i.e. Crepes Suzette, Cherries Jubilee, Peppercorn Beef Flambe).
- C. Clean ventilating fans frequently. Grease should not be allowed to accumulate on fan or filter.
- D. Use proper pan size. Always use cookware appropriate for the size of the surface element.

STAINLESS STEEL BAFFLE FILTERS



About Your New Filters

Stainless Steel Baffle Filters do not need linings or mesh inside of the filters and are completely constructed out of stainless steel. The stainless steel construction allows them to be used again and again after being cleaned or going through the dishwasher.

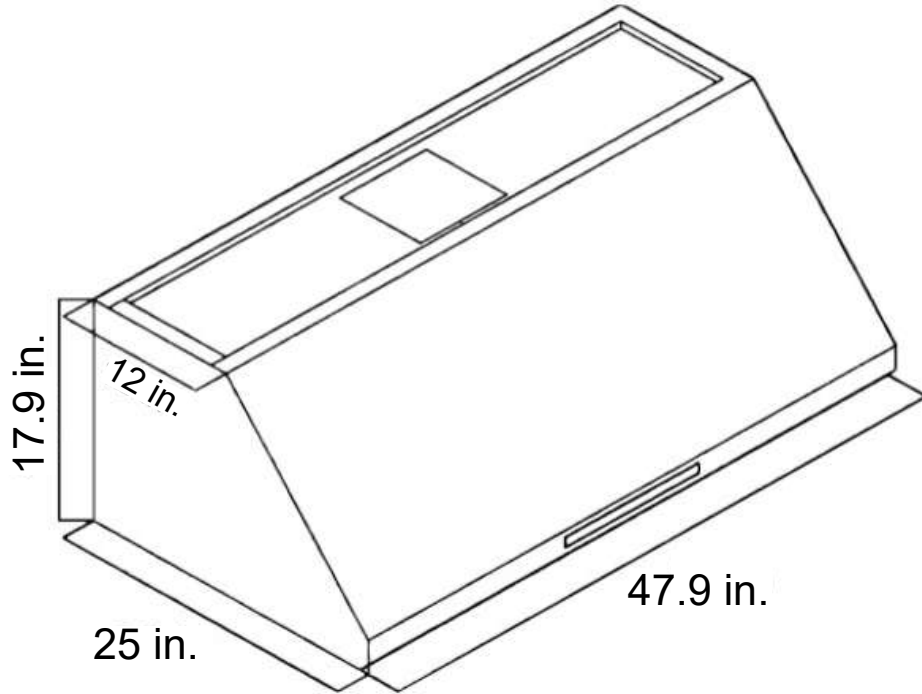
How do Permanent Filters work?

They function by forcing the grease filled air to quickly and continuously change direction as it passes through the filter. The grease is unable to change direction as fast as the air carrying them, they end up getting caught on the metal blades and then trapped into the filter tray. These filters are both efficient and require less maintenance.

Additional Filters can be purchased from:

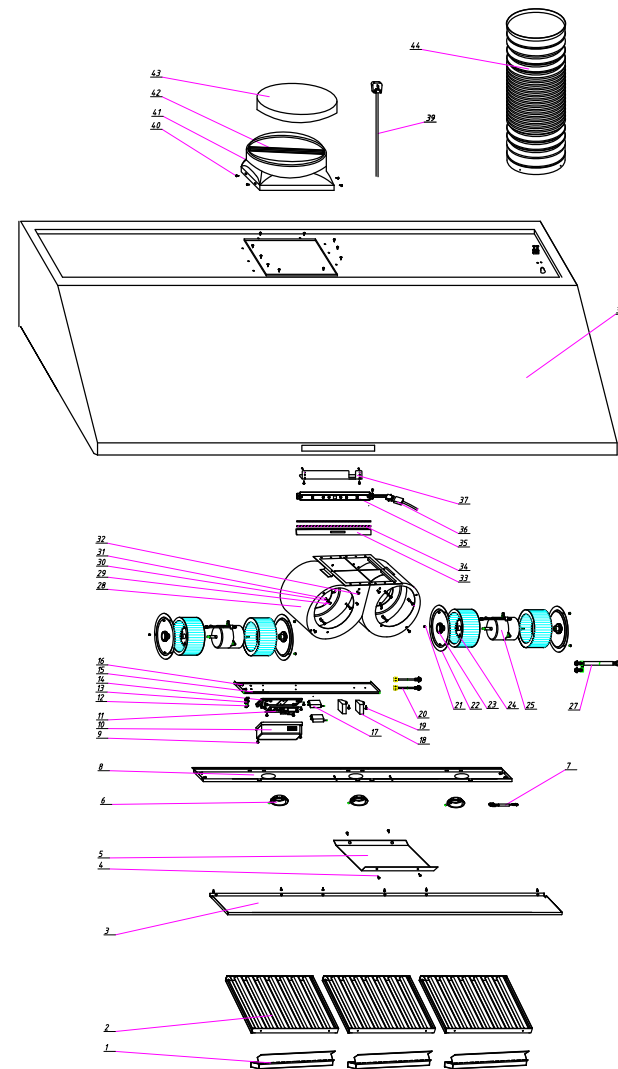
www.cosmoappliances.com

DIMENSIONS DIAGRAM



COS-18U48

PARTS DIAGRAM



No.	PARTS'CODE	ITEM	QTY
1	30205700017	Oil collect tray	3
2	30405100067	S.S baffle filter	3
3	30308900139	Bottom board	1
4	30700500071	Screws	6
5	30303100043	Strength board	1
6	30104700034	LED light	3
7	30105100014	Wires for LED light	1
8	30309500068	Lamp plate	1
9	30700500243	Screws	2
10	30310000002	Junction box	1
11	30101500038	PCB	1
12	30700500029	Screws	6
13	30205800002	Press wire board	2
14	30310000003	Junction box	1
15	30209600002	Install plate	1
16	30700500071	Screws	6
17	30103200018	Transformer	2
18	30104000038	Electric capacity	2
19	30700500071	Screws	2
20	30105100048	Wires for capacity	2
21	30700500027	Screws	12
22	30206600005	Protective cover	4
23	30206400003	Right Manual Screw	2
	30206400004	Left manual screw	2
24	30404800011	Left blade	2
	30404800010	Right blade	2
25	30103800062	Motor	2
27	30105100051	Wires for motor	1
28	30404400016	Motor housing	1
29	30700500021	Screws	6
30	30700200004	Spring washer	6
31	30700200013	Fix washer	6
32	30700500029	Screws	6
33	30500600009	Glass palte	1
34	60100100022	Double taple	0,03
35	30103700310	Switch control	1
36	30105200017	Switch wires	1
37	30309800032	Switch bracket	2
38	2010300430	Housing assembly	1
39	30102400072	Plug	1
40	30700500060	Screws	4
41	30205300011	Damper	1
42	30205900004	Damper cover	2
43	30406700003	Duct clip	1
44	30205200027	Duct pipe	1

INSTALLATION REQUIREMENTS

Sufficient air is needed for proper combustion and exhausting of gases through the chimney of fuel burning equipment to prevent back-drafting.

Follow the cooking equipment manufacturers guideline and safety standards such as those published by the National Fire Protection Association (NFPA), the American Society for Heating, Refrigeration and Air Conditioning Engineers (ASHRAE), and local code.

When cutting or drilling into wall or ceiling, do not damage electrical wiring and other hidden utilities. Ducted systems must always be vented outdoors.

BEFORE YOU BEGIN

Read these instructions completely and carefully.

- **IMPORTANT** – Save these instructions for local inspector's usage.
- **Note to installer** – Be sure to leave these instructions with the Consumer.
- **Note to Consumer** – Keep these instructions for future reference.
- **Skill Level** – Installation of this vent hood requires basic mechanical and electrical skills.
- Proper installation is the responsibility of the installer.

CAUTION:

Due to the weight and size of these vent hoods and to reduce the risk of personal injury or damage to the product, **TWO PEOPLE ARE REQUIRED FOR PROPER INSTALLATION.**

WARNING:

To reduce the risk of the fire or electrical shock, do not use this range hood with any external solid-state speed control device. Any such alteration from original factory wiring could result in damage to the unit and/or create an electrical safety hazard. **TO REDUCE THE RISK OF THE FIRE, USE ONLY METAL DUCTWORK.** These vent hoods are designed to be installed onto a wall or beneath a cabinet.

PRE-INSTALLATION INSTRUCTIONS

- Please read the instructions carefully. Unpack the Range Hood and check that all functions are working before installing.
- Ensure that the voltage (V) and the frequency (Hz) indicated on the sticker match the voltage and frequency at the installation site.
- Check that the area behind the installation surface to be drilled is clear of any electrical cables or pipes, etc.
- The stainless steel surfaces of the Range Hood are very easily damaged during installation if scratched or bumped by tools. Please take care to protect the surfaces during installation.
- Protect the cooktop surface below with cardboard, or the like, to prevent damage occurring during installation.
- The manufacturer shall not be held liable for consumer's failure to observe and follow all pre-installation procedures and safety regulations.
- The vertical distance from the cooking surface to the bottom of the range hood should be at least 24 in. to 36 in. for best performance.
- Determine if your installation will be top venting or back venting, and ensure that the openings in the cabinet or wall are in the appropriate locations and appropriate size.
- If this is a new installation, choose the venting method that suits your needs. Cut out openings for the damper and for power access in the cabinet bottom or exterior wall, depending on the installation method chosen.

DUCTWORK PLANNING

- These vent hoods are equipped for 8" round ductwork. This hood may be vented vertically through upper cabinet or ceiling. A duct transition piece is supplied for vertical exhaust. You may use elbows (sold separately) to vent horizontally through the rear wall.
- Determine the exact location of the vent hood.
- Plan the route for venting exhaust to the outdoors.
- Use the shortest and straightest duct route possible. For satisfactory performance, duct run should not exceed 12.5 feet. equivalent length for any duct configurations.
- Use metal ductwork only.

WALL FRAMING FOR ADEQUATE SUPPORT

These vent hoods are heavy. Adequate structural support must be provided.

*Actual length of straight duct plus duct fitting must equivalent. Equivalent lengths of duct pieces are based on actual tests conducted by Evaluation Engineering and reflect requirements for good venting performance with any ventilation hood.

IMPORTANT:

Plug the Unit in and Test all Functions Before Installing.

INSTALLATION INSTRUCTIONS

CAUTION: HOOD MAY HAVE VERY SHARP EDGES; PLEASE WEAR PROTECTIVE GLOVES WHENEVER IT IS NECESSARY TO REMOVE ANY PARTS FOR INSTALLING, CLEANING OR SERVICING.

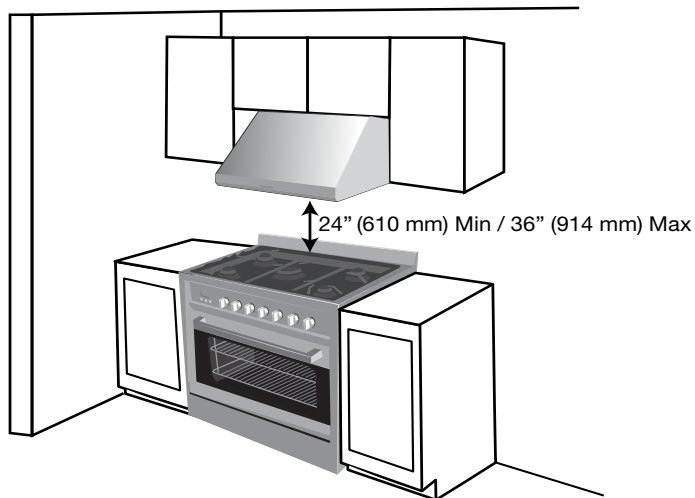
IMPORTANT:

- System must vent to the outside (roof or side wall).
- DO NOT vent system into an attic or other enclosed area.
- DO NOT use laundry-type wall caps.
- Use metal/aluminum vent only. A rigid metal/aluminum vent is recommended.
- DO NOT use a plastic vent.
- Always keep the duct clean to ensure proper airflow.
- Calculate the following figures before installation:
 1. Distance from the floor to the ceiling
 2. Distance between the floor and the countertop/ stove
 3. A distance of 24" to 36" is recommended between stove top and the bottom of range hood. 30" minimum is required for gas stove tops.
 4. Height of hood and duct cover.

For the most efficient and quiet operation:

- It is recommended that the range hood be vented vertically through the roof through at least 10" round metal/aluminum vent work.
- Use no more than three 90° elbows.
- Make sure there is a minimum of 24" of straight vent between the elbows if more than one elbow is used.
- The length of vent system and number of elbows should be kept to a minimum to provide efficient performance.
- The vent system must have a damper. You may remove damper flaps from damper to increase air flow.
- Use silver tape or duct tape to seal all joints in the vent system.
- Use caulking to seal exterior wall or roof opening around the cap.

Height and Clearance



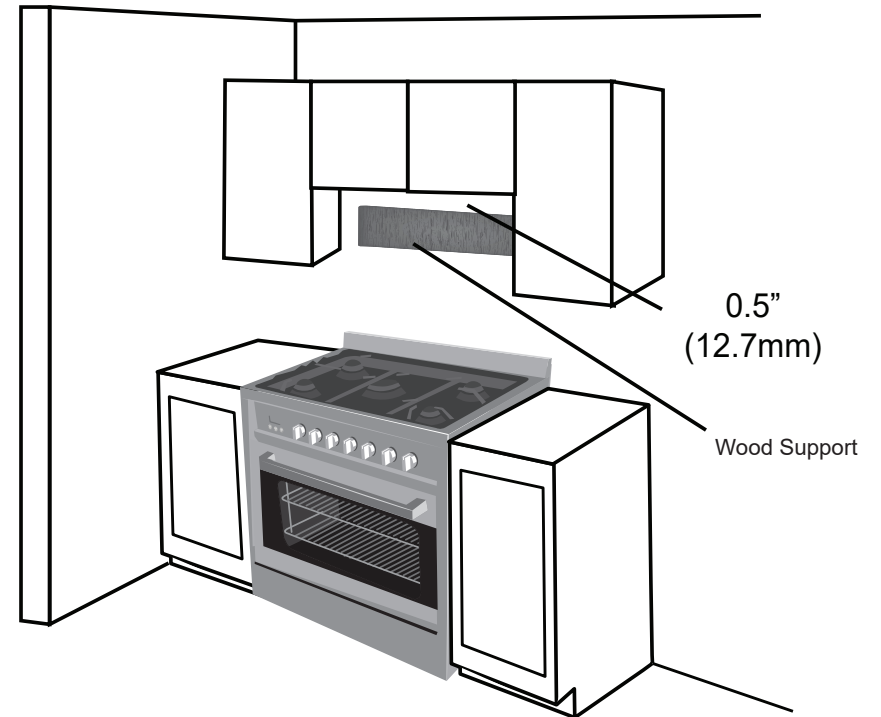
INSTALLATION INSTRUCTIONS

CAUTION: HOOD MAY HAVE VERY SHARP EDGES; PLEASE WEAR PROTECTIVE GLOVES WHENEVER IT IS NECESSARY TO REMOVE PARTS FOR INSTALLING, CLEANING OR SERVICING.

A 47.75" x 2" x 4" wooden support (sold separately) is required to properly install this Range Hood.

Install Wood Support

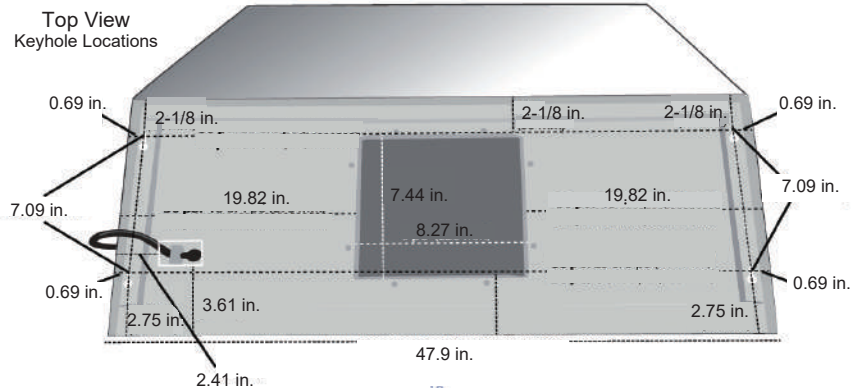
1. Locate at least two vertical studs at the wood mounting location by tapping drywall or by using a stud finder.
2. Position the supplied wood support 0.5" (12.7 mm) below the cabinet and drill 1/8" (3.175 mm) pilot holes through the support, drywall and into the studs.
3. Secure the wood support to two or more vertical studs with wood screws (not provided).
4. Use threaded drywall anchors when mounting the hood onto sheet rock. Mounting the hood into wall studs or lumbers is highly recommended.



INSTALLATION INSTRUCTIONS

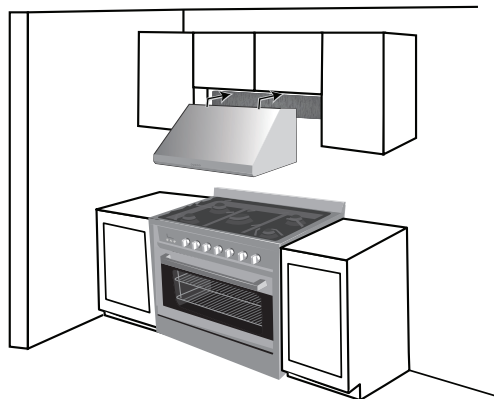
Install Range Hood Mounting Screws

1. Mark the screw holes onto the bottom of cabinet by measuring the holes located on top of the unit. Remember to compensate for the size of the wooden support frame.
2. You will need to cut the holes for the power cord and the damper hole under the cabinet.
3. Install the range hood mounting screws, leaving the screws protruding a 1/4" (6.3 mm) to allow clearance for mounting the range hood.



Mount the Range Hood

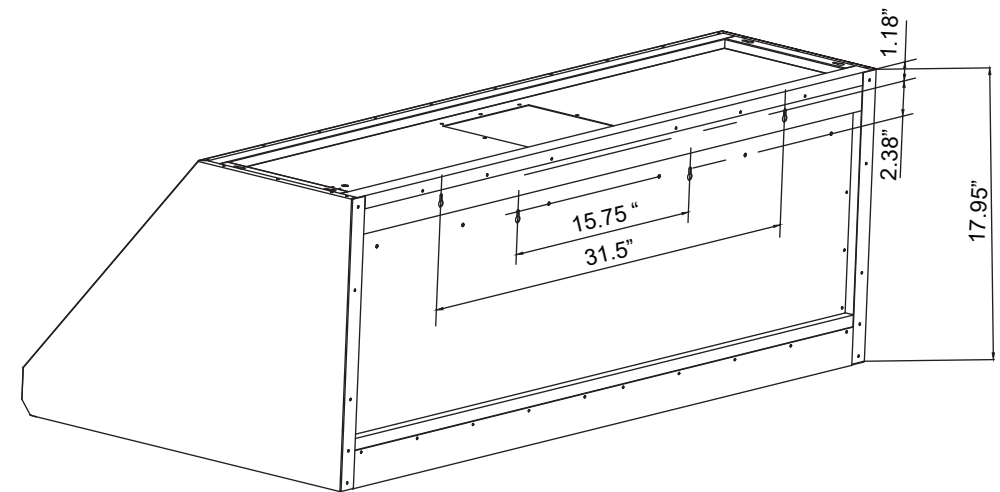
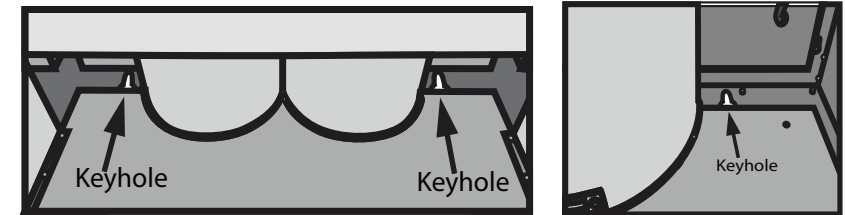
1. Lift the range hood and place over the protruding mounting screws; the keyhole slots on the top of the range hood should engage with the protruding mounting screws.
2. Gently slide the range hood backwards until it cannot slide back any further. Finish screwing in the mounting screws.



INSTALLATION INSTRUCTIONS

Secure Back of Range Hood

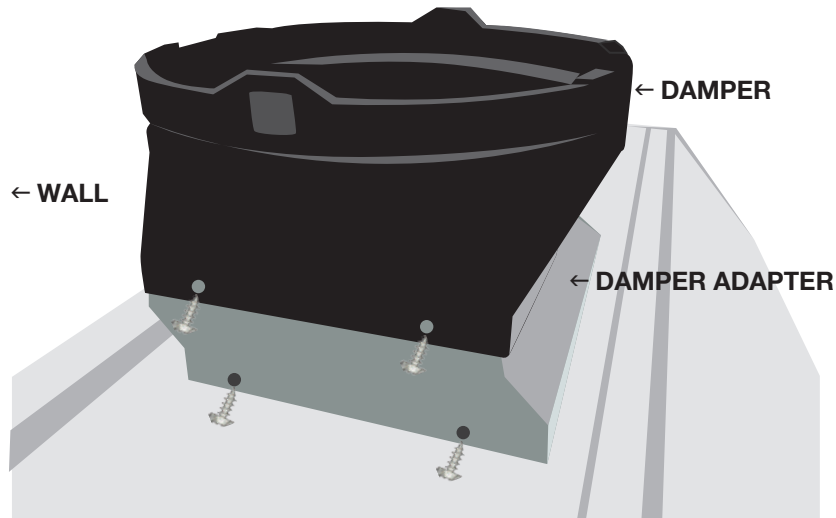
Using the wood screws, secure the back of the range hood into the wood support through the keyhole slots in the rear of the range hood body.



INSTALLATION INSTRUCTIONS

Install Damper

1. Position the damper over the damper adapter and secure using the screws provided.



INSTALLING THE EXHAUST DUCTING

Important:

1. Remove the packaging tape on the damper (located at the top of the unit) and make sure the flaps are able to move freely.
2. Use HVAC foil tape to wrap all the duct joints for an airtight seal

Important:

- To provide extra support and to reduce the vibration, the appliance must fix onto the concrete wall

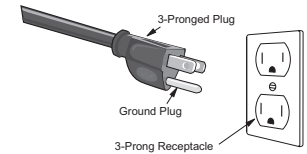
Important:

- Install ductwork, making connection in direction of airflow as illustrated.
- Secure joints in ductwork with sheet metal screws.
- Wrap all duct joints with HVAC foil tape for an airtight seal.

INSTALLATION INSTRUCTIONS

Connect to AC Outlet

- Connect AC plug into a grounded AC outlet having 120V, 60Hz. Place the outlet at a maximum distance of 33-1/2" (851 mm) from where the cord exits on the hood.
- SEE IMPORTANT INSTRUCTIONS BELOW



IMPORTANT:

- Observe all governing codes and ordinances.
- **It is the customer's responsibility to contact a qualified electrical installer.**
- If codes permit and a separate ground wire is used, it is recommended that a qualified electrician determine that the ground path is adequate. A 120-Volt, 60 Hz, AC-only, fused electrical supply is required on a separate 15-amp circuit, fused on both sides of the line.
- DO NOT ground to a gas pipe.
- Check with a qualified electrician if you are not sure that the range hood is properly grounded.
- DO NOT have a fuse in the neutral or ground circuit.

IMPORTANT: Save this Installation Guide for electrical inspector's use.

GROUNDING INSTRUCTIONS:

- This appliance must be grounded. In the event of an electrical short-circuit, grounding reduces the risk of electric shock by providing an escape wire for the electric current.
- This appliance is equipped with a cord having a grounding wire with a grounding plug. The plug must be plugged into an outlet that is properly installed and grounded.

WARNING: Improper grounding can result in a risk of electric shock.

- Consult a qualified electrician if the grounding instructions are not completely understood, or if doubt exists as to whether the appliance is properly grounded. DO NOT use an extension cord. If the power supply cord is too short, have a qualified electrician install an outlet near the appliance.

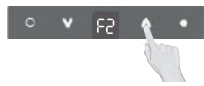
OPERATING INSTRUCTIONS

Using the Fan

- 1 Press **▼** to begin low speed. Screen will display F1.



Press **▲** to increase speed suction. Screen will display increments as F2, F3, F4.



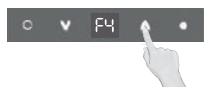
Press **▲** again to decrease suction. Screen will display 00.



- 2 Press **▲** to begin high speed suction. Screen will display F3.



Press **▲** again to begin high speed suction to F4.

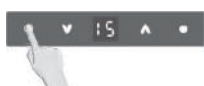


Press **▲** again to stop suction. Screen will display 00.



Using the Time Delay Function

- 1 Press **○** to activate the Time Delay Function. Screen will display "15 minutes".



- 2 Press **▲** to increase or **▼** decrease the time period for the Time Delay Function.



- 3 Press **○** to cancel the Time Delay Function.



- 4 The light will turn off at the end of the set time period if Time Delay Function is activated while the light is on.

Turning the Light On or Off

- 1 Press **○** to turn light on and again to turn light off.



MAINTENANCE

Care and Cleaning

The metal baffles channel grease released by foods on the cook top into the drip trays. The baffles also help prevent flaming foods on the cook top from damaging the inside of the hood. For this reason, the baffles must **ALWAYS** be in place when the hood is used. The grease baffles and drip trays should be cleaned once a month, or as needed.

To clean the grease baffles and drip trays:

Drain and wipe all excess grease with a dry paper towel, Soak them and then swish them around in hot water and detergent. Don't use ammonia or ammonia products because they will darken the metal. Do not use abrasives or oven cleaners. Rinse, shake and let them dry before replacing. **They may also be cleaned in an automatic dishwasher.**

To remove:

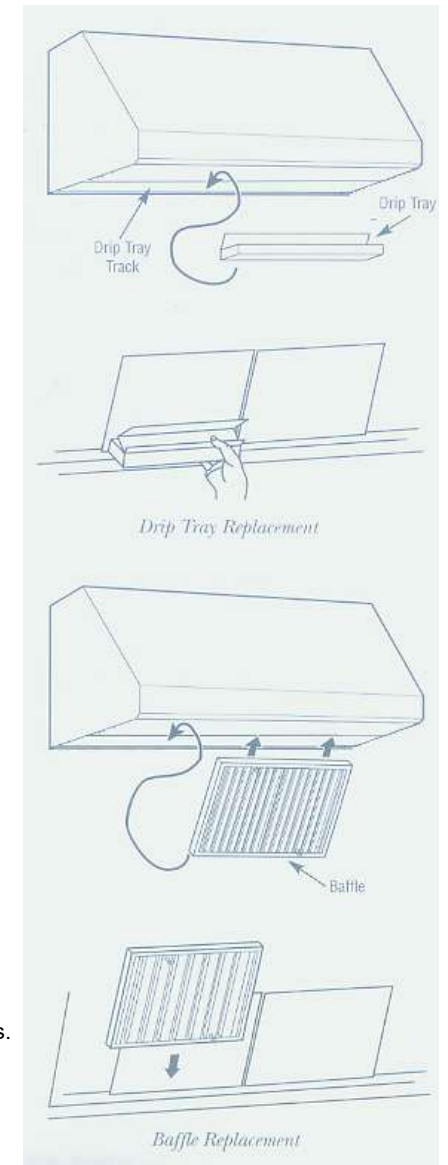
Grasp the filter handles and pull them up, forward and out. Grasp the drip tray and carefully lift it up and out of the hood track.

To replace the drip trays:

1. Place and seat the drip tray into the hood rack.
2. Slide them left and right until all trays are side-by-side in place in the track

To replace the baffles filters:

1. Hold the baffle filter by the two handles.
2. Place the up end of the baffle against the inside front of the hood.
3. Slide it up and push the bottom end back until it firmly seats into place



MAINTENANCE

CAUTION: NEVER PUT YOUR HAND INSIDE OF THE UNIT WHILE ITS OPERATING. FOR THE BEST PERFORMANCE CLEAN YOUR RANGE HOOD REGULARLY.

CLEANING

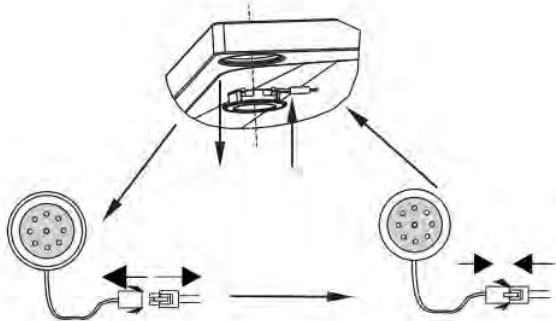
1. Clean the Range Hood assembly once every 6 months.
2. **DO NOT** clean the motor or electrical components with water or any other liquid

REPLACING LIGHT BULBS

CAUTION: LAMP UNIT MAY BE HOT! WAIT UNTIL THE UNIT IS COOL. *BEFORE ATTEMPTING TO REPLACE THE LED LAMPS MAKE SURE THE UNIT IS POWERED OFF AND UNPLUGGED.*

Note: Individual LED bulbs cannot be replaced, only entire LED lamps.

1. Remove the baffle filters
2. Find the wire connection of the lamp inside the unit and unplug.
3. Remove old LED lamp by pushing it out of its hole from the inside.
4. Plug in new LED lamp.
5. Reinstall the baffle filters.



TROUBLESHOOTING

CAUTION: ALWAYS UNPLUG UNIT FROM POWER BEFORE SERVICING

PROBLEM	SOLUTION	TOOLS
My range hood is noisy	A. Check inside the range hood for any loose debris and remove.	Phillips Screwdriver
My range hood has poor performance..	A. The range hood and cook top are too far away from each other. Optimal distance is 24" to 36" B. There are too many open windows or doors in the area. Close some doors or windows. C. The motor performance has decreased due to wear. Replace motor. D. Check and make sure the tape holding down the damper flaps at the vent hole are removed before use.	Phillips Screwdriver
My range hood shakes.	A. The installation is not secure. Check again and make sure the installation hardware is securely mounted. B. The fan is broken or not balanced. Realign or replace fan. C. The motor is loose. Check and make sure the motor is solidly mounted to the unit.	Phillips Screwdriver
The motor no longer runs.	A. Replace control panel or circuit board. B. Replace with new motor assembly.	Phillips Screwdriver
Light bulbs went out.	A. Replace with a new LED lamp assembly.	Phillips Screwdriver



APPLIANCES

WARRANTY AND SERVICE

For full warranty details on this product please visit:
<http://www.cosmoappliances.com/warranty>

TO RECEIVE WARRANTY SERVICE, YOUR
PRODUCT MUST BE REGISTERED. TO REGISTER, VISIT:

WWW.COSMOAPPLIANCES.COM/WARRANTY

SCAN TO REGISTER



IMPORTANT

Do Not Return This Product To The Store If
you have a problem with this product, please contact

Cosmo Customer Support at

+1(888)784-3108

DATED PROOF OF PURCHASE, MODEL #, AND SERIAL #
REQUIRED FOR WARRANTY SERVICE

IMPORTANT

Ne pas Réexpédier ce Produit au Magasin
Pour tout problème concernant ce produit, veuillez contacter
le service des consommateurs Cosmo Customer Support au

+1(888) 784-3108

UNE PREUVE D'ACHAT DATEE EST REQUISE POUR BENEFICIER DE
LA GARANTIE.

IMPORTANTE

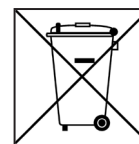
No regrese este producto a la tienda
Si tiene algún problema con este producto, por favor contacte el
AYUDA AL CLIENTE COSMO al

+1(888)784-3108

(Válido solo en E.U.A).

NECESITA UNA PRUEBA DE DE COMPRA FECHADA, NÚMERO DE
MODELO Y DE SERIE PARA EL SERVICIO DE LA GARANTÍA

Correct Disposal of this product:



This marking indicates that this appliance should not
be disposed with other household wastes. To prevent
possible harm to the environment or human health
from uncontrolled waste disposal, recycle it responsibly to
promote the sustainable reuse of material resources.



Cosmo is constantly making efforts to improve the quality and performance of our products, so we may make changes to our appliances without updating this manual.

Electronic version of this manual is available at:
www.cosmoappliances.com