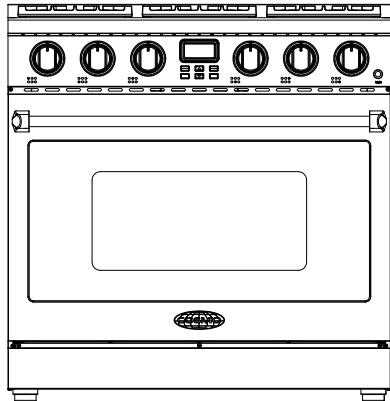
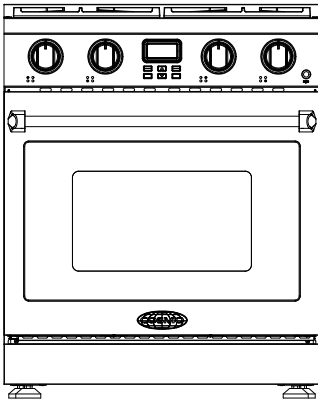




GAS RANGE

COS-GRC304KB

COS-GRC366KB



SLIDE-IN RANGE

GAS CONVERSION INSTRUCTIONS

IMPORTANT: READ AND SAVE THESE INSTRUCTIONS.
FOR RESIDENTIAL USE ONLY.

INSTALLER: PLEASE LEAVE THESE INSTRUCTIONS WITH THIS UNIT FOR
THE OWNER.

OWNER: PLEASE RETAIN THESE INSTRUCTIONS FOR FUTURE
REFERENCE.

THANK YOU FOR YOUR PURCHASE

Thank you for your purchase. We know that you have many brands and products to choose from and we are honored to know that you have decided to take one of our products into your home and hope that you enjoy it.

COSMO Appliances are designed according to the strictest safety and performance standard for the North American market. We follow the most advanced manufacturing philosophy. Each appliance leaves the factory after thorough quality inspection and testing. Our distributors and our service partners are ready to answer any questions you may have regarding how to install, use and care for your products. We hope that this manual will help you learn to use the product in the safest and most effective manner.

Before using this product, please read through this manual carefully. Keep this user manual in a safe place for future reference. Please ensure that other persons using this product are familiar with these instructions as well.

If you have any questions or concerns, please contact the dealer from whom you purchased the product, or contact our Customer Support at:

1-888-784-3108

Reach us online at:

www.cosmoappliances.com

TABLE OF CONTENTS

RANGE SAFETY	4
Anti-tip Device	7
GAS CONVERSION	8
Convert Gas Pressure Regulator	9
Convert Surface Burners	11
Convert Oven Burners	15
Adjust Surface Burner Valves.....	17
Complete Gas Conversion.....	18

RANGE SAFETY

READ ALL INSTRUCTIONS BEFORE USING THE APPLIANCE

Your safety and the safety of others are very important.

We have provided many important safety messages in this manual and on your appliance. Always read and obey all safety messages.



This is the safety alert symbol.

This symbol alerts you to potential hazards that can kill or hurt you and others.

All safety messages will follow the safety alert symbol and either the word "WARNING" or "CAUTION." These words mean:



You can be killed or seriously injured if you don't follow instructions.



A potentially hazardous situation which, if not avoided, could result in minor or moderate injury.

All safety messages will tell you what the potential hazard is, tell you how to reduce the chance of injury, and tell you what can happen if the instructions are not followed.

In the State of Massachusetts, the following installation instructions apply:

- Installations and repairs must be performed by a qualified or licensed contractor, plumber, or gasfitter qualified or licensed by the State of Massachusetts.
- If using a ball valve, it shall be a T-handle type.
- A flexible gas connector, when used, must not exceed 3 feet (91.5 cm).

California Proposition 65 Warning



Cancer and Reproductive Harm - www.P65Warnings.ca.gov.

WARNING



FIRE AND EXPLOSION HAZARD

If the information in this manual is not followed exactly, a fire or explosion may result causing property damage, personal injury or death.

- Do not store or use gasoline or other flammable vapors and liquids in the vicinity of this or any other appliance.
- **WHAT TO DO IF YOU SMELL GAS**
 - Do not try to light any appliance.
 - Do not touch any electrical switch.
 - Do not use any phone in your building.
 - Clear the room, building, or area of all occupants.
 - Immediately call your gas supplier from a neighbor's phone. Follow the gas supplier's instructions.
 - If you cannot reach your gas supplier, call the fire department.
- Installation and service must be performed by a qualified installer, service agency or the gas supplier.

WARNING

Never Operate the Top Surface Cooking Section of this Appliance Unattended.

- Failure to follow this warning statement could result in fire, explosion, or burn hazard that could cause property damage, personal injury, or death.
- If a fire should occur, keep away from the appliance and immediately call your fire department.

DO NOT ATTEMPT TO EXTINGUISH AN OIL/GREASE FIRE WITH WATER.

WARNING

- Gas leaks cannot always be detected by smell. Gas suppliers recommend that you use a gas detector approved by UL or CSA. For more information, contact your gas supplier.
- Do not install a ventilation system that blows air downward toward this cooking appliance. This type of ventilation system may cause ignition and combustion problems with this cooking appliance resulting in personal injury or unintended operation.
- This appliance is intended for normal residential use. It is not approved for commercial use, outdoor installation, or any other application not specifically allowed by this manual.
- This appliance requires connection to a 3-prong, 120VAC single-phase (split-phase), 60Hz grounded electrical source protected by a 15- or 20-Amp circuit breaker or slow blow fuse. When installed, appliance must be electrically grounded in accordance with local codes or, in the absence of local codes, with the National Electrical Code, NFPA 70 or the Canadian Electric Code, CSA C22.1-02.
- Proper installation is the responsibility of the installer. Any adjustment and service should be performed only by qualified range installers or service technicians. The manufacturer is not responsible for any injury or damage that may result from incorrect or defective installation by unauthorized personnel.
- Product failure due to improper installation is not covered under warranty.

ANTI-TIP DEVICE

WARNING



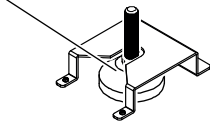
TIP OVER HAZARD

- A child or adult can tip the range and be killed.
- Install anti-tip bracket to floor or wall per installation instructions.
- Slide range back so rear range foot is engaged in the slot of the floor-mounting anti-tip bracket or rear range pin is engaged under the wall-mounting anti-tip bracket.
- Re-engage the anti-tip bracket if range is moved.
- Do not operate the range without anti-tip bracket installed and engaged.
- Failure to follow these instructions can result in death or serious burns to children and adults.

Making sure the anti-tip bracket is installed:

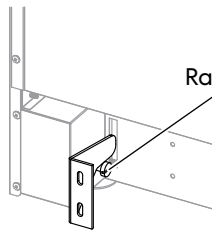
- Slide range forward.
- Look for the anti-tip bracket securely attached to floor or wall.
- Slide range back and make sure rear range foot is under floor-mounting anti-tip bracket or rear range pin is under the wall-mounting anti-tip bracket.

Range foot



Floor-mounting anti-tip bracket

Range pin



Wall-mounting anti-tip bracket

GAS CONVERSION

WARNING



FIRE AND EXPLOSION HAZARD

- Use a new CSA International approved gas supply line and install a shut-off valve for new installations.
- Securely tighten all gas connections.
- If connected to LP, have a qualified person make sure gas pressure does not exceed the maximum pressure listed in the "Gas Supply Requirement" section.
- Examples of a qualified person include:
 - licensed heating personnel
 - authorized gas company personnel
 - authorized service personnel
- Failure to do so can result in death, explosion or fire.

WARNING



TIP OVER HAZARD

- A child or adult can tip the range and be killed.
- Install anti-tip bracket to floor or wall per installation instructions.
- Slide range back so rear range foot or rear range pin is engaged with the floor-mounting or wall-mounting anti-tip bracket.
- Re-engage the anti-tip bracket if range is moved.
- Do not operate the range without anti-tip bracket installed and engaged.
- Failure to follow these instructions can result in death or serious burns to children and adults.

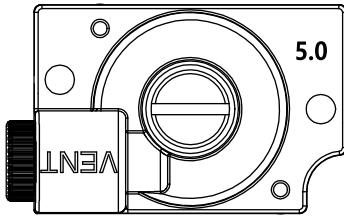
This range is factory-set for use with Natural gas (NG). The Propane gas (LP) conversion kit is sold separately. To order LP conversion kit, see "Optional Parts" in the "Tools and Parts" section from the Installation Instructions.

IMPORTANT: Gas conversions must be done by a qualified service technician in accordance with the manufacturer's instructions and all codes and requirements of the authority having jurisdiction. The qualified agency performing this work assumes the gas conversion responsibility.

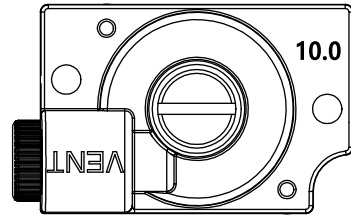
Keep and store the regulator cap that has just been replaced in case of re-installation with another gas.

CONVERT GAS PRESSURE REGULATOR

1. Turn manual gas shut-off valve to the closed position.
2. Unplug range or disconnect power.
3. Locate the regulator cap for correct fuel type being used.



NG regulator cap

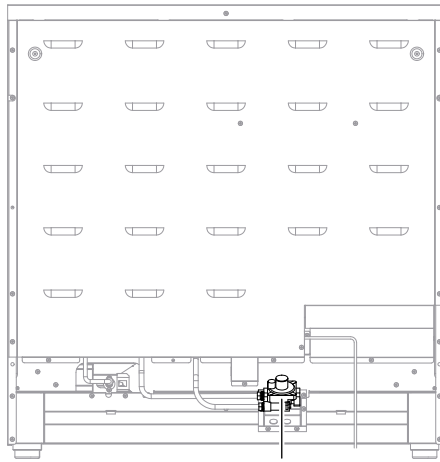


LP regulator cap

NOTE:

- **NG:** This range is factory-set with the NG regulator cap installed. If converting back for NG from LP, retrieve the NG regulator cap removed and stored from previous conversion.
- **LP:** Locate the LP regulator cap from LP conversion kit.

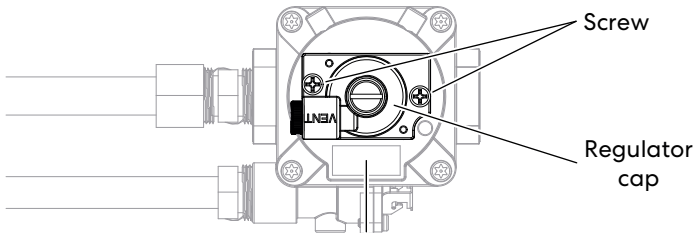
4. Locate gas pressure regulator at rear of range.



Gas pressure
regulator

5. Remove 2 screws near center of gas pressure regulator, and remove regulator cap.

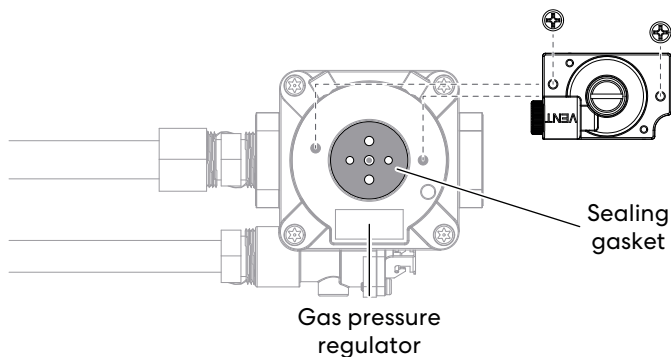
IMPORTANT: Do not remove the gas pressure regulator. Keep the sealing gasket in place on the gas pressure regulator.



Gas pressure
regulator

6. Replace the regulator cap for correct fuel type being used.

IMPORTANT: Keep and store the regulator cap that has just been replaced in case of re-installation with another gas.



NOTE:

- If converting to propane from natural gas, please apply a label sticker with "LP Converted" notice on or near the regulator cover. If converting back to natural gas from propane, please remove the sticker so others know the appliance is set to use natural gas.

CONVERT SURFACE BURNERS

Tool Needed

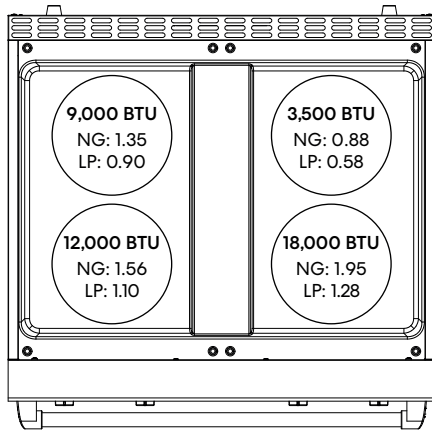
- 9/32" (7 mm) nut driver

IMPORTANT: Make sure to save the orifices that have just been replaced in the conversion.

NG/LP Orifice Chart for Surface and Oven Burners

COS-GRC304KB (30")

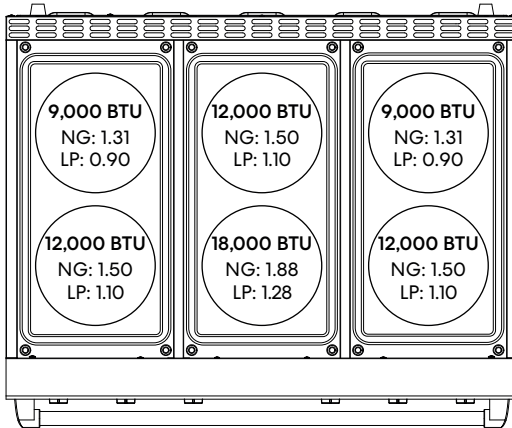
Burner Placement	NG Orifice Size (mm)	LP Orifice Size (mm)	Rating (BTU/h)
Front Left	1.56	1.10	12,000
Front Right	1.95	1.28	18,000
Rear Left	1.35	0.90	9,000
Rear Right	0.88	0.58	3,500
Oven Top	1.56	1.01	NG: 12,000 / LP: 10,000
Oven Bottom	1.90	1.18	18,500



NG/LP Orifice Chart for Surface and Oven Burners

COS-GRC366KB (36")

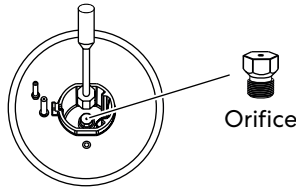
Burner Placement	NG Orifice Size (mm)	LP Orifice Size (mm)	Rating (BTU/h)
Front Left	1.50	1.10	12,000
Front Middle	1.88	1.28	18,000
Front Right	1.50	1.10	12,000
Rear Left	1.31	0.90	9,000
Rear Middle	1.50	1.10	12,000
Rear Right	1.31	0.90	9,000
Oven Top	1.62	1.01	NG: 13,500 / LP: 12,000
Oven Bottom	1.90	1.21	NG: 18,500 / LP: 16,000



1. If installed, remove burner grates, burner caps, and burner bases.

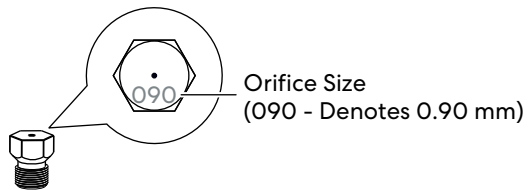


2. Remove the existing orifices with a 9/32" (7 mm) nut driver.

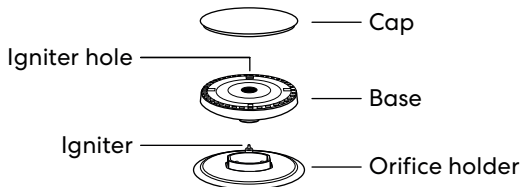


3. Replace the orifices with the correct fuel type orifices. Gas orifices are stamped with a size number. Refer to the orifice chart earlier for correct NG and LP gas orifice sizes and proper placement.

IMPORTANT: Keep and store the orifices that have just been replaced in case of re-installation with another gas.



4. Replace the burner bases, burner caps, and burner grates.



CONVERT OVEN BURNERS

This product cannot be converted to Natural gas (NG) or Propane gas (LP) by adjusting or tightening the oven orifices. The orifices must be replaced.

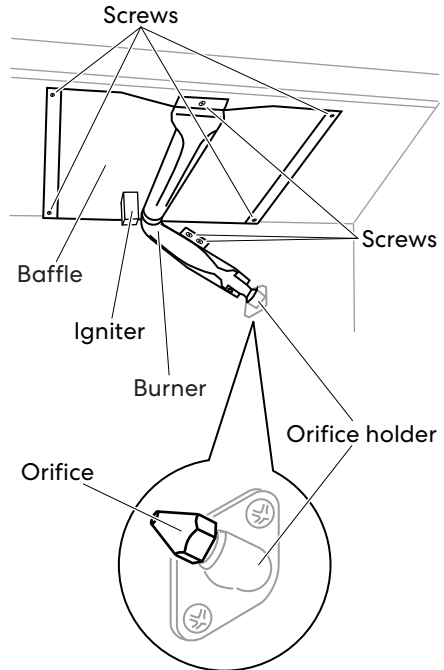
To gain better access to the oven components, the oven door may be detached from the range. See "Removing/Assembling Oven Door" section from the Installation Instructions.

Tool Needed

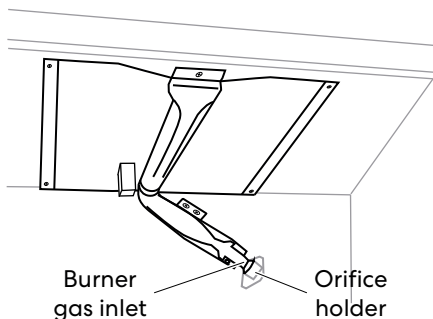
- 3/8" (9.5 mm) combination wrench

Converting Broil Burner

1. Empty the oven.
2. Remove the 4 screws from broil burner baffle at the oven top.
3. Remove the 3 screws from broil burner while supporting it.
4. Carefully remove broil burner assembly (burner, igniter, and baffle) from broil orifice holder.
5. Tip front of assembly downwards and lean assembly out of the way, being careful not to damage igniter wire or oven surfaces.
6. Using a 3/8" (9.5 mm) combination wrench, replace the broil orifice with the correct fuel type orifice. Gas orifices are stamped with a size number. Refer to the orifice chart earlier for correct NG and LP gas orifice sizes.



7. Place broil burner gas inlet on broil orifice holder and align burner assembly with the top and the rear of the oven. Make sure igniter wire is properly inserted into rear hole.



8. Replace the screws on burner assembly.

Converting Bake Burner

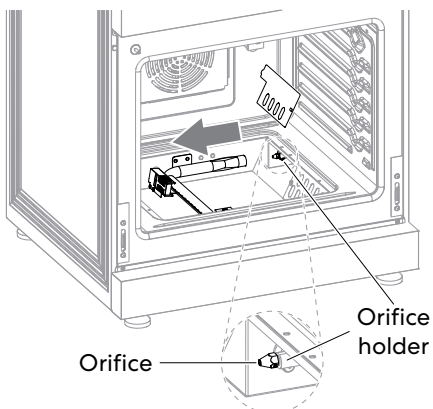
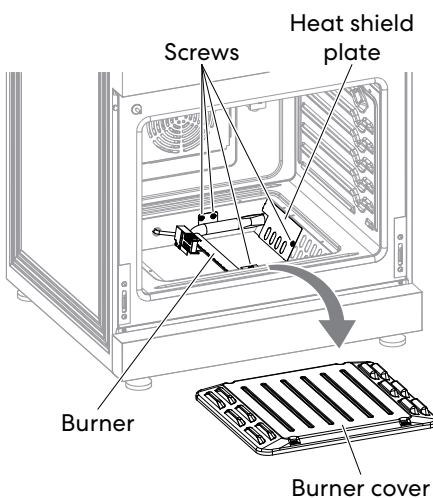
1. Lift and remove bake burner cover on the oven bottom.

2. Remove the screw in the middle of lower heat shield on the right, and pull out rear heat shield plate to unveil bake orifice holder.

3. Remove the 3 screws from bake burner.

4. Gently move burner to the left and away from bake orifice holder, being careful not to damage igniter wire.

5. Using a 3/8" (9.5 mm) combination wrench, replace the bake orifice with the correct fuel type orifice. Gas orifices are stamped with a size number. Refer to the orifice chart earlier for correct NG and LP gas orifice sizes.

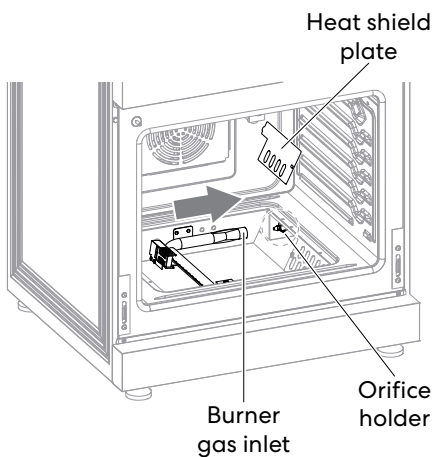


6. Place bake burner gas inlet on bake orifice holder and align burner with the oven. Make sure igniter wire is properly inserted into rear hole.

7. Replace the screws on burner.

8. Replace the rear heat shield plate.

9. Replace the bake burner cover.



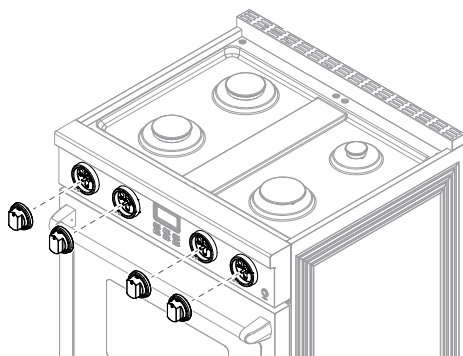
ADJUST SURFACE BURNER VALVES

Be very careful not to scratch the surface of the unit.

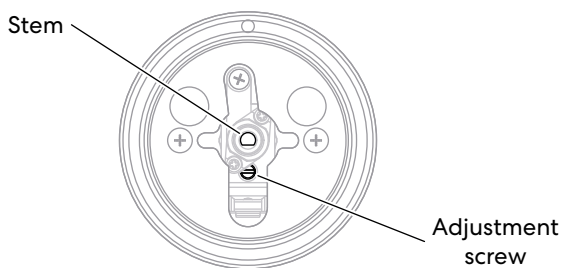
Tool Needed

- Slotted (flat-head) screwdriver

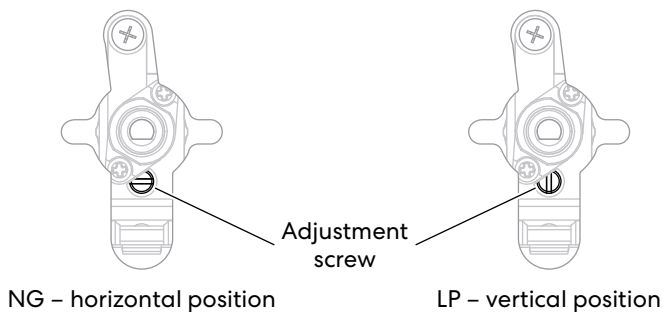
1. Remove the surface burner knobs by pulling the knobs straight off the stem.



2. Locate the adjustment screw of burner valve next to the stem.



3. Tighten the adjustment screw to the correct fuel type position.



4. Replace the knobs. See "Install/Remove Control Knobs" section.

COMPLETE GAS CONVERSION

1. Open shut-off valve in the gas supply line.
2. Plug in range or reconnect power.
3. Refer to:
 - "Gas Connection" in the Installation Instructions for proper connection of the range to the gas supply.
 - "Complete Installation" section in the Installation Instructions to complete this procedure.

MEMO

A series of horizontal dashed lines for writing.



APPLIANCES

Cosmo is constantly making efforts to improve the quality and performance of our products, so we may make changes to our appliances without updating this manual.

Electronic version of this manual is available at:
www.cosmoappliances.com