



SPECIFICATIONS

COS-EPGR366 Gas Range



COS-EPGR366

Transform your kitchen from ordinary to refined with Cosmo's COS-EPGR366 6.0 cu. ft. gas range with gas oven. Using 6 sealed cooktop burners and convection oven, you can cook a variety of main dishes, sauces, baked goods and more.

Features

- Designed for freestanding or slide-in
- Gas cooktop with 6 sealed burners
- Single gas oven with 4 functions
- Standard convection
- Removeable backsplash
- Bottom storage drawer
- Drip tray included
- 304-grade stainless steel

Size	36 Inch / 6.0 cu. ft. Capacity
Fuel	Gas
Installation	Freestanding / Slide-In
Controls	Plastic Knobs with Metallic Coating
Oven	Convection
Material	Stainless Steel
Electrical	120V / 60Hz
Racks	2 Racks, 6 Positions
Oven Functions	Bake, Broil, Convection Bake, Convection Broil
Burners	• x2 Power / 18,000 BTU • x2 Rapid / 12,000 BTU • x2 Semi-Rapid / 9,000 BTU • Bake Burner / 18,500 BTU • Broil Burner / 10,000 BTU
Included Components	2 Racks, Cast Iron Grates, Power Cord, Install Kit, Manual



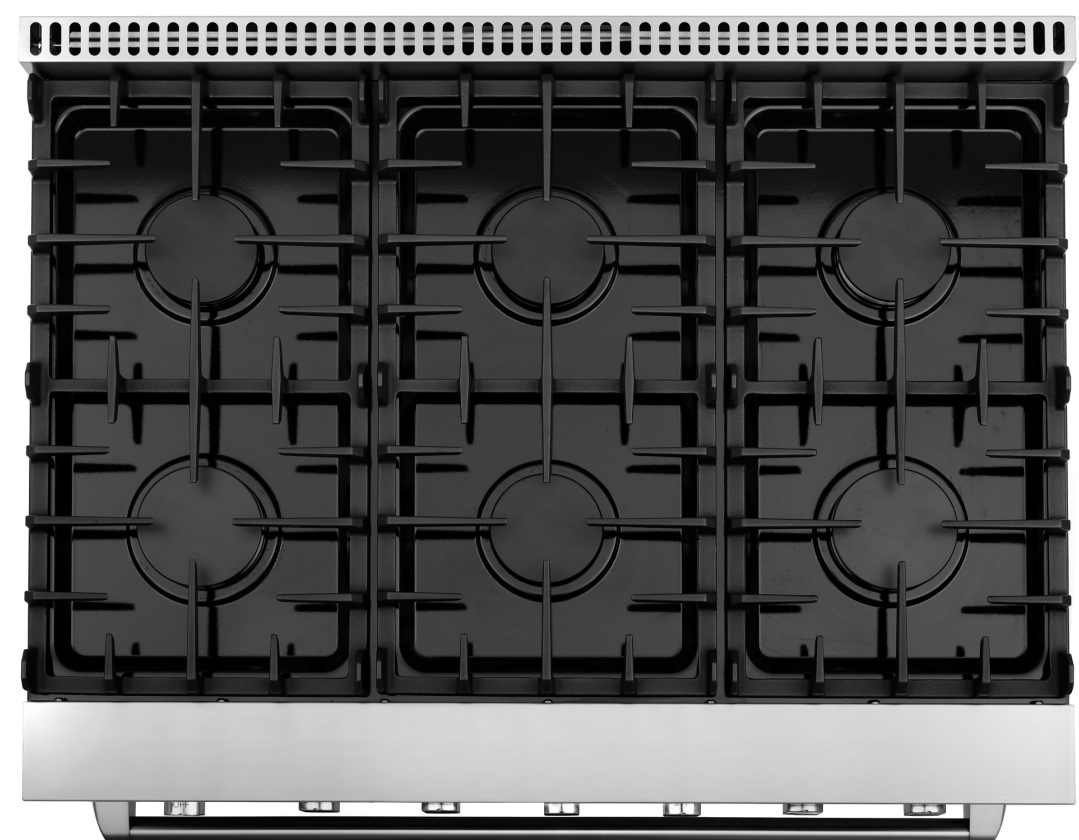
Storage Drawer



Knob LED Lights



Triple Layer Glass

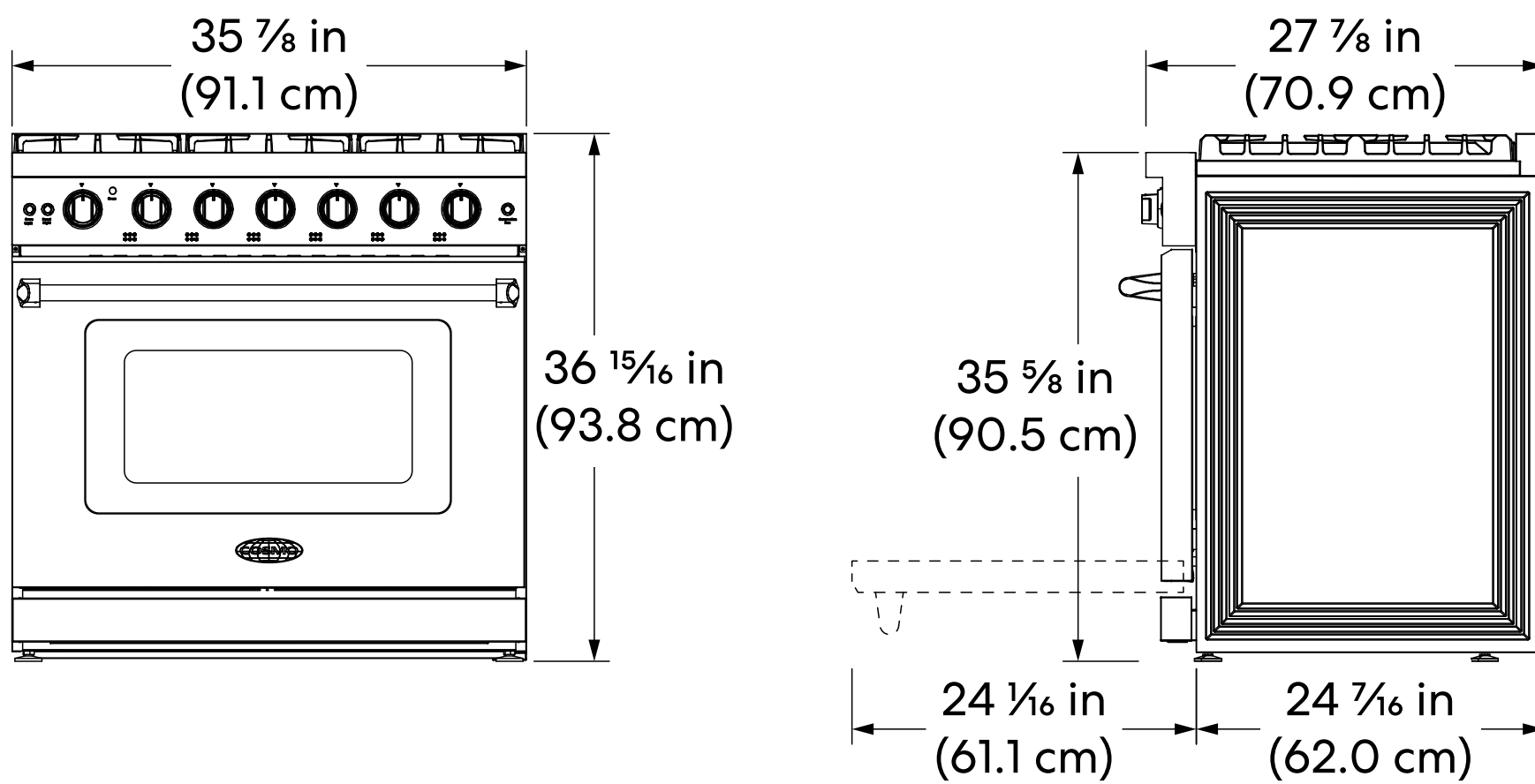
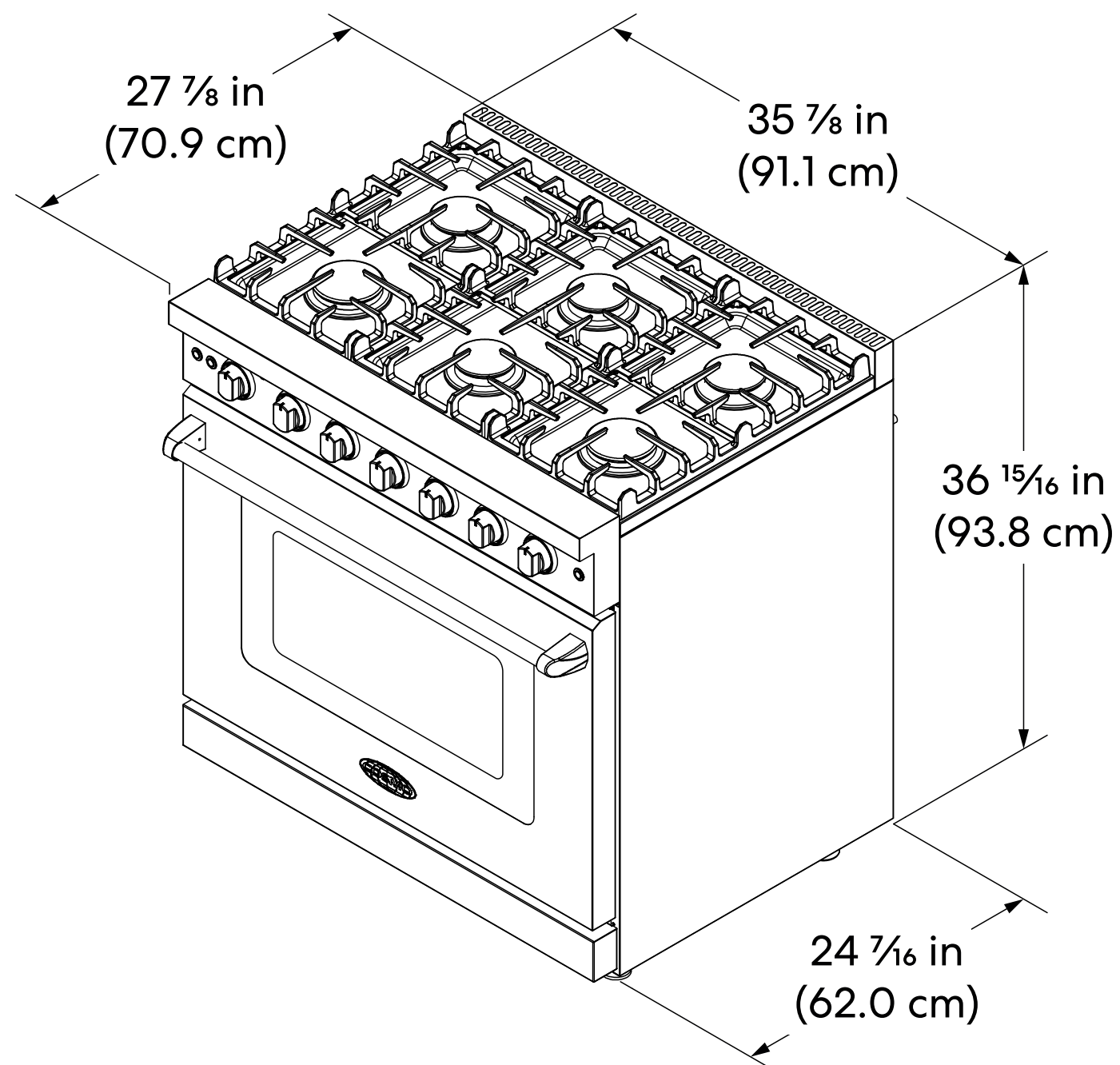


See Page 2 for dimensions



DIMENSIONS

COS-EPGR366 Gas Range



Dimensions (WxDxH): 35.9" x 27.9" x 36.9"