



SPECIFICATIONS

COS-ERD304K-BK Electric Range



Size	30 Inch / 4.9 cu. ft. Capacity
Fuel	Electric
Installation	Slide-In
Controls	Push Button Controls & Knobs
Oven	Standard Convection
Material	Glass, Matte Black
Electrical	240V / 60Hz, 44.5A
Racks	2 Racks, 6 Positions
Oven Functions	Bake, Convection Bake, Broil, Convection Broil, Convection Roast, Defrost
Burners	<ul style="list-style-type: none">• Front Right / 2500W / 1200W• Front Left / 2200W / 1000W• Rear Left / 1200W• Rear Right / 1200W• Bake / 1500W• Broil / 2000W

COS-ERD304K-BK

Refine your culinary skills when you cook with Cosmo's COS-ERD304K-BK Electric Range. 4 burners and 4.9 cu. ft. convection oven allow you to cook a variety of main dishes, sauces, baked goods and more.

Features

- Designed for slide-in installation
- 4 surface burner cooktop with two dual element burners
- 4.9 cu. ft. capacity convection oven
- 6 oven functions
- Clock and timer on digital display
- Front control knobs
- Bottom storage drawer



Surface Burners



Glass Cooktop



Digital Timer & Clock

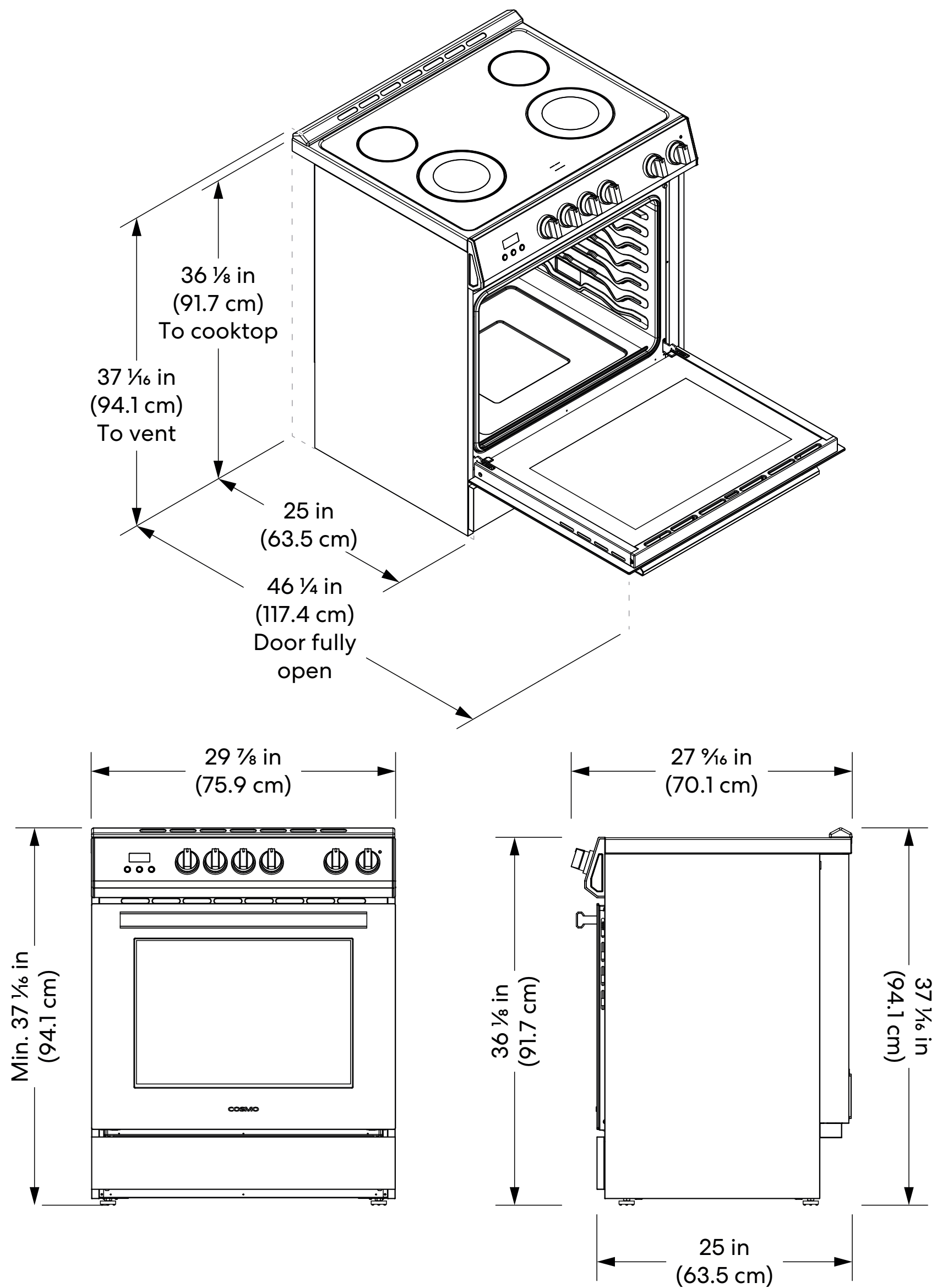


See Page 2 for dimensions



DIMENSIONS

COS-ERD304K-BK Electric Range



Dimensions (WxDxH): 29.9" x 27.6" x 37.1"