



SPECIFICATIONS

COS-RES365SS Electric Range



COS-RES365SS

Transform the way you cook with Cosmo's COS-RES365SS Electric Range. Cook a variety of different foods using the electric 5 burner cooktop and fan convection oven with 6 functions.

Features

- Designed for slide-in installation
- 5 surface burners
- 6.1 cu. ft. convection oven
- 6 oven functions & oven light
- Oven cavity ventilation system for safe heat dissipation
- Black ceramic glass cooktop
- Solid metal knobs

Size	36 Inch / 6.1 cu. ft. Capacity
Fuel	Electric
Installation	Slide-In
Controls	Full Metal Knobs
Oven	Convection
Finish	Stainless Steel
Electrical	240V / 60Hz, 57A
Racks	2 Racks, 6 Positions
Oven Functions	Bake, Broil, Convection Bake, Air Fry, Delay Start, Keep Warm
Burners	<ul style="list-style-type: none">• Middle / 3000W• Front Left / 2100W• Front Right / 1800W• Rear Left / 1200W• Rear Right / 1200W• Oven Burner / 3500W• Broil Burner / 3500W



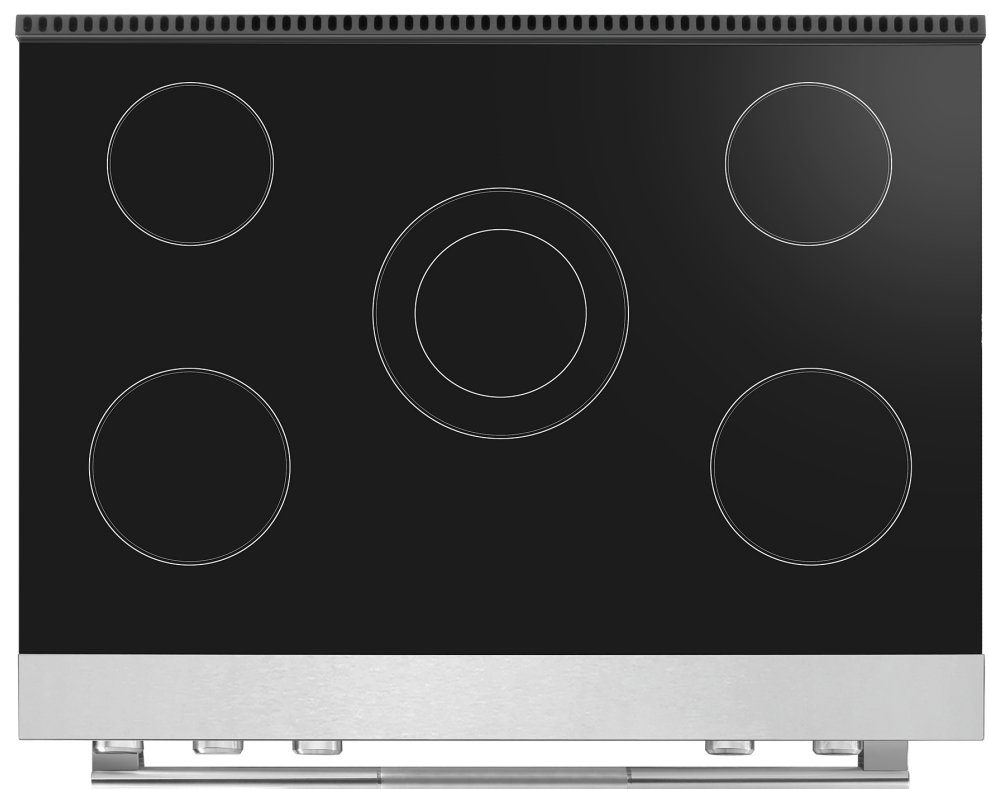
Surface Burners



Glass Cooktop



Digital Timer & Clock

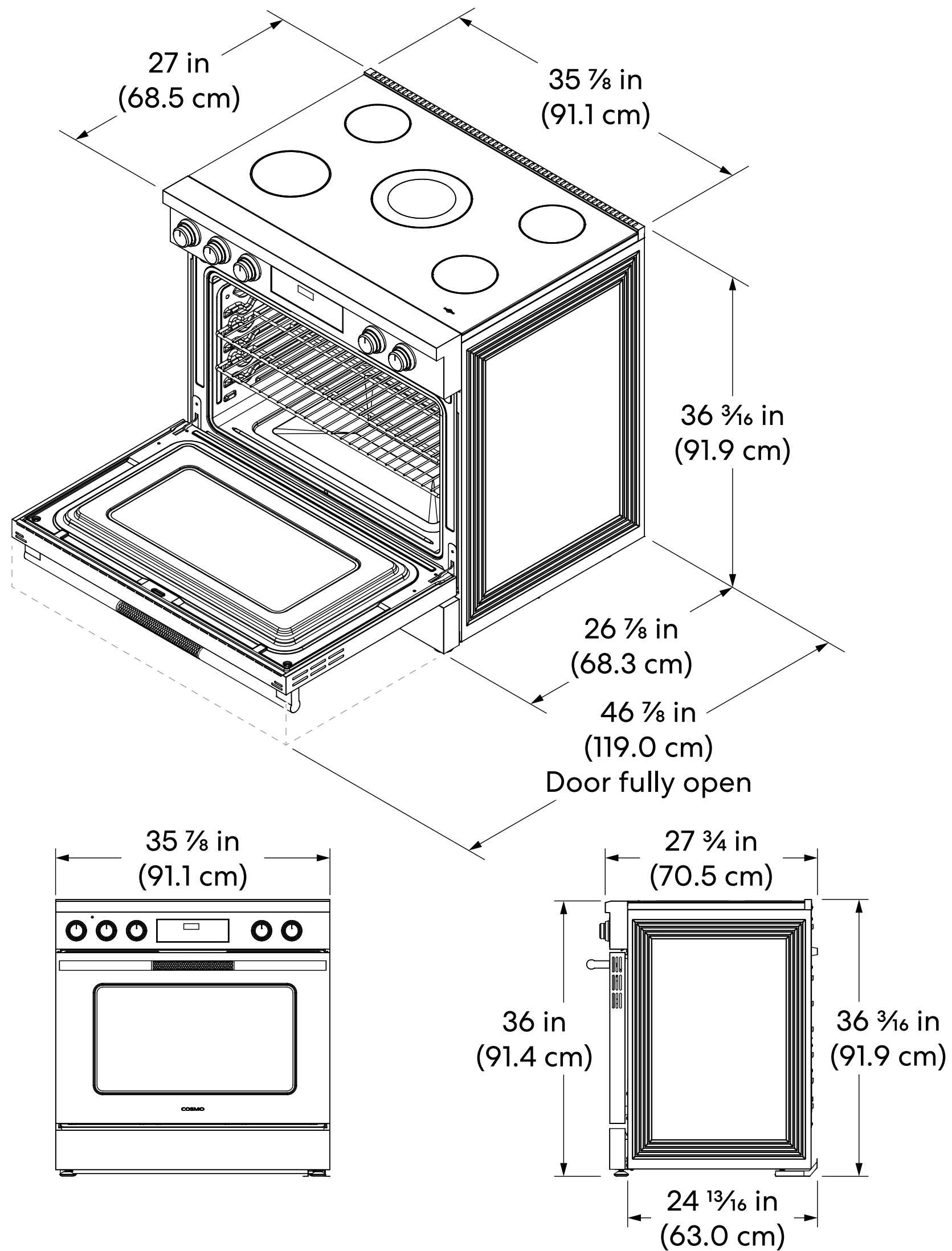


See Page 2 for dimensions



DIMENSIONS

COS-RES365SS Electric Range



Dimensions (WxDxH): 35.9" x 27.8" x 36.2"