



SPECIFICATIONS

COS-GRC488KB Double Oven Gas Range



COS-GRC488KB

Transform the way you cook with Cosmo's COS-GRC488KB Double Oven Gas Range. Cook a variety of different foods using the sealed 8 burner cooktop and fan convection ovens with 6 functions.

Features

- Designed for Freestanding or Slide-in
- 8 Sealed Burners
- 4.8 cu. ft. Main Convection Oven
- 2.6 cu. ft. Secondary Convection Oven
- 6 oven functions & oven light
- Oven cavity ventilation system for safe heat dissipation
- Cast iron grates
- Solid metal knobs

Size	48 Inch / 7.4 cu. ft. Capacity (Total)
Fuel	Gas
Installation	Freestanding / Slide-In
Controls	Metal Knobs
Ovens	Convection
Material	430-Grade Stainless Steel
Electrical	120V / 60Hz, 15A
Racks	2 Racks, 6 Positions (Each Oven)
Oven Functions	Bake, Broil, Convection Bake, Convection Roast, Pizza, Keep Warm
Burners	<ul style="list-style-type: none">• Front Middle Right / 22,000 BTU• Front Left / 18,000 BTU• Front Right / 18,000 BTU• Front Middle Left / 12,000 BTU• Rear Middle Left / 12,000 BTU• Rear Middle Right / 12,000 BTU• Rear Left / 9,500 BTU• Rear Right / 9,500 BTU• Main Bake Burner / 22,000 BTU• Main Broil Burner / 13,500 BTU• Secondary Bake Burner / 14,000 BTU



Sealed Burners



Metal Knobs



Cast Iron Grates

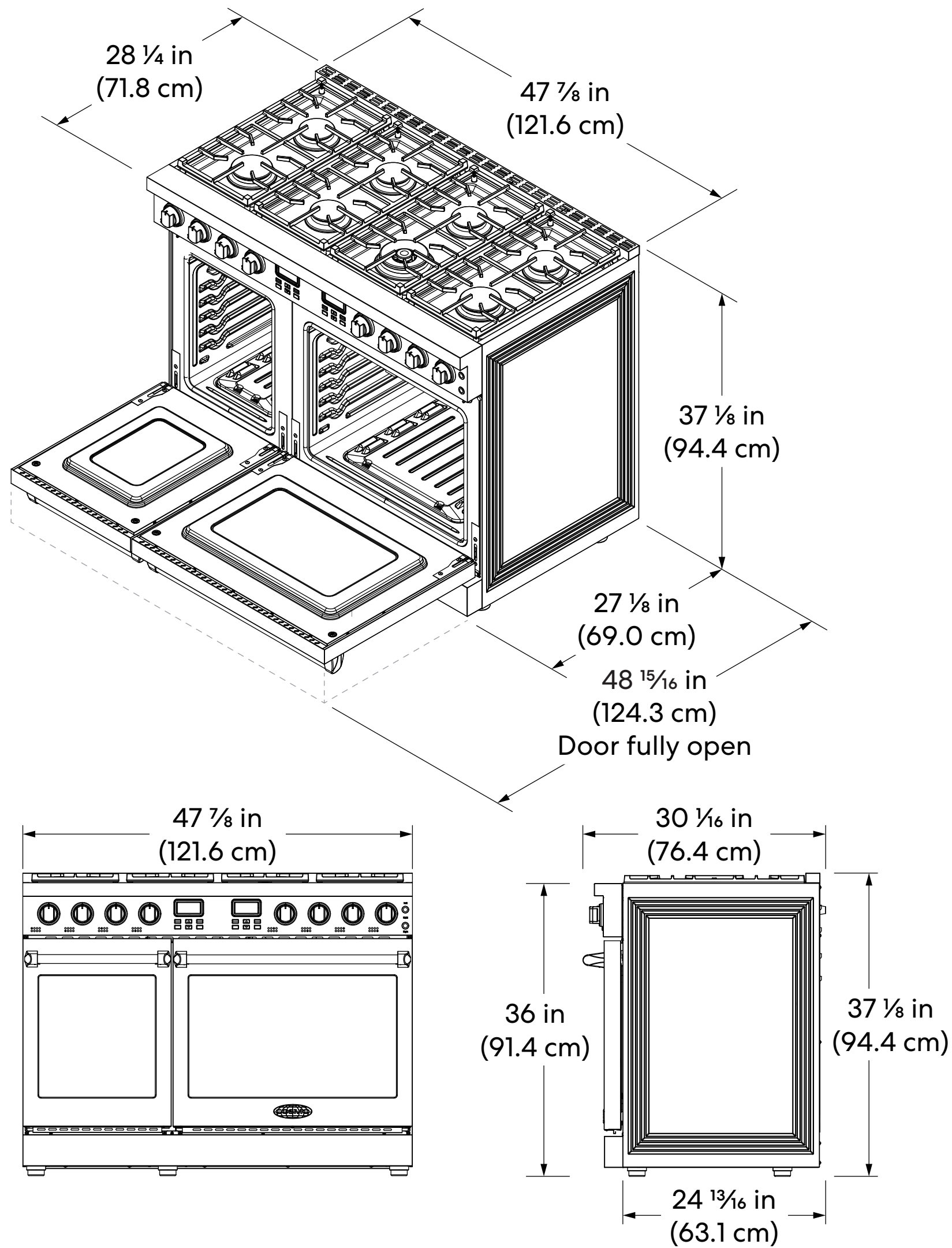


See Page 2 for dimensions



DIMENSIONS

COS-GRC488KB Double Oven Gas Range



Dimensions (WxDxH): 47.9" x 27.2" x 37.2"