



SPECIFICATIONS

COS-RGS366SS Gas Range



COS-RGS366SS

Transform the way you cook with Cosmo's COS-RGS366SS Gas Range. Cook a variety of different foods using the sealed 5 burner cooktop and fan convection oven with 6 functions.

Features

- Designed for slide-in installation
- 6 sealed burners
- 6.1 cu. ft. convection oven
- 6 oven functions & oven light
- Oven cavity ventilation system for safe heat dissipation
- Cast iron grates
- Solid metal knobs

Size	36 Inch / 6.1 cu. ft. Capacity
Fuel	Gas
Installation	Slide-In
Controls	Full Metal Knobs
Oven	Convection
Finish	Stainless Steel
Electrical	120V / 60Hz, 11.6A
Racks	2 Racks, 6 Positions
Oven Functions	Bake, Broil, Convection Bake, Air Fry, Delay Start, Keep Warm
Burners	<ul style="list-style-type: none">• Front Right / 22,000 BTU• Front Left / 18,000 BTU• Middle / 12,000 BTU• Rear Middle / 12,000 BTU• Rear Left / 6,000 BTU• Rear Right / 3,500 BTU• Oven Burner / 18,500 BTU• Broil Burner / 13,500 BTU



Sealed Burners



Metal Knobs



Cast Iron Grates

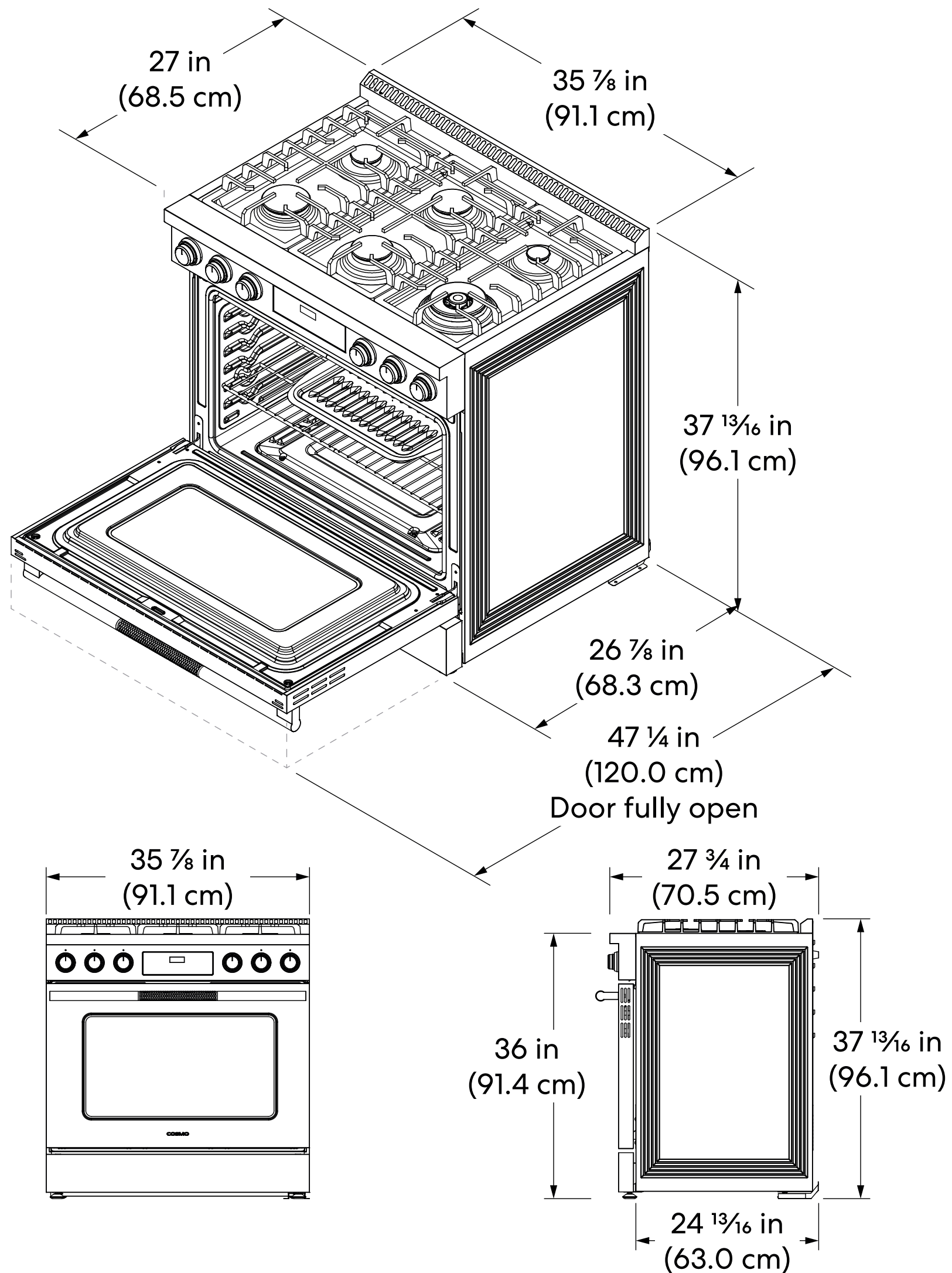


See Page 2 for dimensions



DIMENSIONS

COS-RGS366SS Gas Range



Dimensions (WxDxH): 35.9" x 27.8" x 37.8"